


# Viega PEX Press Systems



The global leader  
in plumbing, heating  
and pipe joining systems

**viega**

# A heritage of better ideas since 1899



Only the Viega Group offers a heritage of true innovation, from our humble beginning in 1899 to our current status as the global leader of plumbing, heating and pipe joining systems. Viega system solutions have surpassed the test of time for more than 110 years because our quality is superior, our customer service is individual and our products work together so installers can accomplish more. With trustworthy, total system solutions for nearly any application, Viega provides the products, the tools, the support and the quality you need to complete the job right the first time.

**1899** **Viega's legacy begins**  
Viega founder Franz-Anselm Viegener designs brass beer tap.

**1901** **Focus on plumbing**  
Viega begins to manufacture plumbing fittings for Germany.

**1935** **Vision continues to grow**  
Viega adds more products to increase opportunities for plumbers.

1900

1910

1920

1930

1940

1950

**1950** **Global strategy broadens**  
Viega expands to other countries in this decade.

**1960** **Viega brand established**  
Europe recognizes Viega as a trustworthy brand.

**1970** **A solution for everyone**  
Viega invests in development of complete system solutions.

**1989** **Revolutionizing the industry**  
Viega teaches the world a new way to install plumbing and piping systems.

**1999** **Celebrating 100 years**  
The Viega Group introduces complete system concept in North America.

**2008** **Outstanding solution provider**  
Viega's North American company wins the ASPE Industry Award for the advancement of plumbing technology.

**2009** **Quality PEX for total solutions**  
Viega LLC produces 655 million feet of PEX tubing in the United States since 2006.

**2010** **Zero Lead solutions**  
Viega finishes first in the race to offer a complete lead-free system in North America.

**2011** **Resources to succeed**  
The Viega Group offers 23 million square feet of production and logistics facilities worldwide.

**2012** **One source, many materials**  
Viega manufactures the first carbon steel press fitting for use in gas applications, Viega MegaPress.

1960 | 1970 | 1980 | 1990 | 2000 | 2010 | 2020

Excellence by association



# Viega PEX Press Technology

Viega has a reputation for quality and innovation, a reputation that we pass on to our business partners. That's why you should trust your PEX installations to Viega press systems, the same proven technology that revolutionized the plumbing and heating industry. We introduced press fitting technology to the world in 1989, so it was only a matter of time until we offered it for PEX systems too. In 2000, Viega created the first press fitting system for PEX tubing, Viega PEX Press.

Viega PEX Press fittings make secure, consistent PEX connections in less than seven seconds with no glues and no waiting for expansions to contract. That means you can pressure test the system immediately.

You can make clean, environmentally safe PEX connections for potable water systems and residential fire protection systems. You can also install Viega PEX Press fittings for radiant heating and snow melting systems in homes or light commercial projects like restaurants or strip malls. Together with Viega PEX tubing and water distribution manifolds, the entire system is covered by a comprehensive 10-year transferrable warranty.

With so many years of proven excellence in the industry, why trust your next project to any other manufacturer? Your reputation is on the line and Viega wants to help you install a system you'll be proud of.

## Peace of mind you can buy

Viega PEX Press polymer fittings offer something no other PEX fittings can, a guaranteed method to identify missed connections during pressure testing. With the Viega Smart Connect feature, you can reduce callbacks and gain peace of mind.

- 1 Unpressed**  
Identify an unpressed connection during pressure testing when water flows.



- 2 Pressing**  
Upon identification, use the press tool to press the fitting, making a secure connection.



- 3 Pressed**  
PEX Press connections are fast, reliable and immediately ready for pressure testing.



The first press system  
for PEX is still the best



# Complete Zero Lead Press Systems

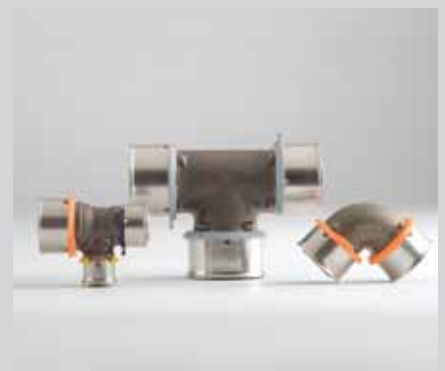
Viega PEX Press fittings are engineered to reduce labor and installation costs while providing extraordinary performance. Resistant to corrosion, Viega PEX Press fittings can be installed in drinking water systems, radiant heating or cooling systems and residential fire protection systems. The attached sleeves incorporate a color-coded tool locator ring that helps ensure the press tool is properly aligned during installation. Each Viega PEX Press fitting features viewing holes to verify correct tubing insertion and ensures the integrity of the connection. With a wide variety of configurations and adapters, Viega PEX Press fittings allow easy transitions to other materials.

## **Viega PEX Press in Zero Lead Bronze**

Viega PEX Press fittings in Zero Lead bronze are available in sizes from  $\frac{5}{16}$ " to 2" and are made from Viega's proprietary silicone-bronze alloy. Viega PEX Press fittings in Zero Lead bronze are well suited for potable water applications and residential fire protection systems.

## **Viega PEX Press in Polymer**

Made from a high-performance polymer, Viega PEX Press polymer fittings are available in sizes  $\frac{3}{8}$ " to 2". These engineered fittings provide 40% less pressure drop due to the increased size of the inlets.



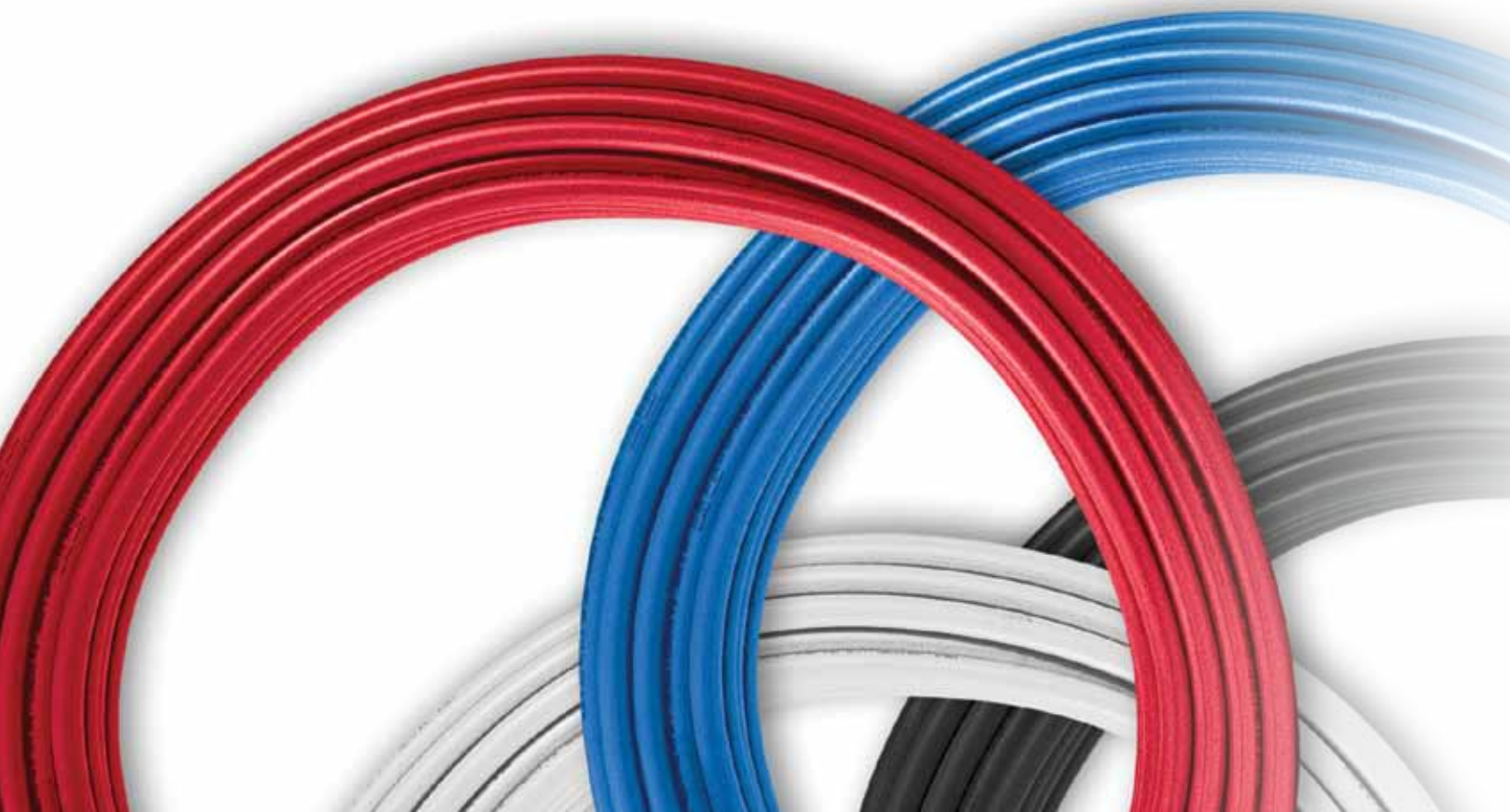
# System solutions that exceed expectations

Quality is a buzzword manufacturers use to promote products that will meet certain expectations but each manufacturer measures quality at different levels. By this definition, quality is relative. So if you're going to choose a product based on quality, you should look at the core values of the manufacturer who makes it.

ViegaPEX stands apart, not only through manufacturing excellence but also through extensive testing requirements that ask more from the material than it will ever experience in real-life applications.

Viega PEX tubing systems feature the highest rating in the industry for chlorine resistance and UV protection. Since 2006, Viega has manufactured and sold more than one billion feet of PEX tubing in the United States.

To Viega, quality means not just meeting your expectations but exceeding them in everything we do. That's what we expect from ourselves, so you can expect it from our solutions.





# ViegaPEX

Perfect for potable water applications, ViegaPEX is available in red, blue and white. ViegaPEX tubing offers the industry’s highest chlorine resistance and can withstand exposure to UV light up to 60 days.

# ViegaPEX Ultra

ViegaPEX Ultra tubing is available in red, blue, white and black and offers the best chlorine resistance in the industry and UV protection up to six months. Black ViegaPEX Ultra tubing is UL listed for NFPA 13D residential fire sprinkler applications and is available in sizes 3/8" to 2" for light commercial applications.

# Viega FostaPEX

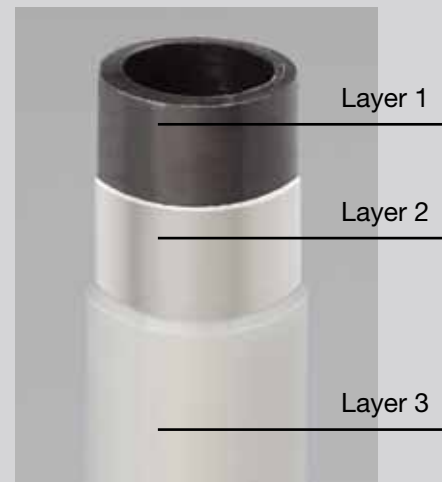
Viega FostaPEX is form-stable PEX, a layered, aluminum-wrapped PEX tubing option that is flexible enough to bend but will still hold its shape. Available in red and silver, Viega FostaPEX is listed for potable water and radiant applications.

Tubing	Available Sizes	Available Colors	UV Rating	Chlorine Rating	Listings
ViegaPEX	1/4" to 1"	Red White Blue	60 days	CL5**	ASTM F876 / F877 ANSI / NSF 14 & 61
ViegaPEX ULTRA	3/8" to 2"	Red White Blue Black*	6 Months	CL5**	ASTM F876 / F877 ANSI / NSF 14 & 61
FostaPEX	1/2" to 1"	Red Silver	Extended	CL5**	ASTM F876 / F877 ANSI / NSF 14 & 61

\*\*Rated for both traditional and continuous hot water recirculation applications.  
\*UL 1821 listed 3/4" and above

# Why Viega FostaPEX?

Viega FostaPEX balances stability with flexibility to create a unique tubing system that not only bends with ease but also holds its shape. Outer layers of aluminum and PE make this possible, while extending UV protection. A lead-free oxygen barrier pipe, Viega FostaPEX is ideal for both potable water systems and hydronic applications.



**Layer 1:** ViegaPEX tubing, which adds flexibility

**Layer 2:** Aluminum layer, which adds stability, UV resistance and oxygen barrier

**Layer 3:** PE layer, which protects tubing

# Simplicity providing extraordinary performance



# Viega Water Distribution Systems

Viega offers the most complete manifold systems in the Americas. Suitable for residential or commercial applications, Viega water distribution systems reduce time and labor during installation and help end-users save both water and energy. With manifolds, fittings and the highest-rated PEX tubing in the industry, Viega plumbing systems are backed by a comprehensive, 10-year transferable warranty.

## Viega ManaBloc

A home-run manifold system, the Viega ManaBloc allows you to potentially eliminate fittings behind a wall. The Viega ManaBloc system keeps water pressure and temperature even because individual PEX tubing lines are run from the manifold to each fixture. Available with  $\frac{3}{8}$ " or  $\frac{1}{2}$ " Zero Lead bronze or polymer connections, the system delivers hot water quickly and efficiently. With a range of ports from 14 to 36, the Viega ManaBloc incorporates integrated shutoff valves for each fixture, offering centralized control without having to shut off the main water supply.

## Viega MiniBloc

Combination systems use small manifolds located throughout a structure placed near each main fixture group. The Viega MiniBloc has integrated valves that allow shut-off of individual lines to the fixture without disturbing the rest of the group. Ideal for any size job, the Viega MiniBloc is available with a number of ports ranging from three to eight.

## Viega Manifolds

Viega manifolds with PEX Press connections are a high-quality combination manifold system. With a number of outlets ranging from two to eight, Viega manifolds are made of a high-performance polymer. Viega manifolds branch multiple tubing lines from a common location instead of using multiple tees throughout the structure.

All the pieces  
where you need them



# The complete system approach

Have you ever worked a jigsaw puzzle and discovered you were missing a piece? The frustration of that moment drains all the accomplishment you feel in having completed the puzzle in the first place. Don't let your next plumbing project end the same way.

Viega offers every component you need for a plumbing system. From the water service line to where it stops at your faucet, Viega provides the most complete potable water solutions available on the North American market. With distribution manifolds, fittings and tubing, Viega puts all the pieces in your hands.

Manifolds	Stub-outs
Fittings	Outlet boxes
Tubing	Clips/Supports
Valves	Tools

## Viega products exceed expectations, so you can too

All Viega systems meet or exceed the strictest codes and standards in North America. Viega PEX systems have been tested for tens of thousands of hours at extreme pressures, temperatures and water conditions to ensure the highest performance and guaranteed reliability Viega business partners expect.



ASTM F876  
ASTM F877



UL 1821



NSF 14  
NSF 61



CSA  
B137.5

Viega PEX systems are backed by a comprehensive 10-year transferable warranty. For specific applications, contact Viega Inside Sales at 1-800-976-9819 or at [insidesales@viega.com](mailto:insidesales@viega.com).

One source,  
multiple solutions



Viega provides complete systems that work together with consistent, reliable excellence. Whether you are installing a potable water system or specifying a corrosive chemical line, Viega offers a system solution that is engineered and easy to install. In every circumstance, for nearly every application, Viega has the innovative solution you need to do your job right the first time. With proven quality, time-tested efficiency and personalized service, Viega is your solution.

### **Viega is the only manufacturer with press systems in multiple pipe joining materials**

Viega ProPress for copper and stainless and Viega MegaPress for black iron pipe help reduce installation time up to 60% and are approved for use in the largest range of applications in the industry. Viega press systems offer the patented Viega Smart Connect feature, the only guaranteed pressed-fitting detection method on the market, so you can trust that connections are secure.

### **Viega offers the most complete potable water plumbing systems in North America**

With the only PEX fittings with a guaranteed method to identify connections and the innovative Viega ManaBloc water distribution system, Viega provides everything you need for a total plumbing solution. Environmentally safe and made in the USA, Viega PEX systems help reduce end-user water waste and energy costs and add value to a project.

### **Viega heating and cooling systems are highly engineered to be user friendly**

From start to finish, Viega ProRadiant systems offer the highest quality, most complete radiant heating solutions in the industry. With PEX tubing, manifolds, controls and innovative systems like the Viega Climate Mat, Viega provides everything you need to install or specify radiant heating, cooling or snow melting in residential or commercial projects. And with personalized design support and on-site field service, you can get the assistance you need to stay on schedule.



## Viega LLC

301 N. Main, 9th Floor  
Wichita, KS 67202  
Phone: 1-800-976-9819  
www.viega.com  
insidesales@viega.com

The term Viega does not apply to a specific company within the various separate and distinct companies comprising the Viega group of companies. The term Viega as used in this publication refers to the Viega brand itself or generally to the Viega group of companies. References to activities in North America specifically refer to activities of Viega LLC.

©2013, FostaPEX®, MegaPress®, ProPress® and Viega® are registered trademarks of Viega GmbH & Co. KG. Climate Mat®, ManaBloc® and Smart Connect® are registered trademarks of Viega LLC. MiniBloc™ and ProRadiant™ are trademarks of Viega LLC; ViegaPEX™ and Zero Lead™ are trademarks of Viega GmbH & Co. KG. RIDGID® is a registered trademark of RIDGID, Inc.

